

DAEBONG ENG

PRODUCT CATALOG



 YouTube



 DB Website



Table of Content

- 3 **Company History** 회사연혁
- 4 **Certificate** 증명서
- 5 **Product Overview** 제품 한눈에 보기
- 7 **Flexible Conduits & Fittings** 가요전선관 및 부속품
Flexible Conduit- GW, SW, SF Type | Liquid Tight Box Connector | Liquid Tight Pipe Connector | Flexible to Flexible Coupling | Liquid tight 45 Angle Connector | Liquid tight 90 Angle Connector | Squeeze Connector for SF Type Flexible Conduit | Squeeze Connector-SF Washer Type | Squeeze Connector- One touch Type | Insert (Right/Left Type) | Locknuts | Packing | PVC Cap | SF Type Non-Waterproof Connector- ABS EX One Touch Type | PVC Waterproof Connector -Direct Insert Type | PVC Waterproof Connector-Insert Type | Brass Liquid tight Connector
- 11 **Easy Connectors** 이지콘넥터
Easy Box Connector Steel Octangular | Steel Square | ABS Octangular | ABS Square | SF Type Octangular | SF Type Square | GW Type Octangular | GW Type Square | Customized Easy Connector Product
- 13 **Rigid Steel Conduits & Fittings** 강제전선관 및 부속품
Steel Pipe | Normal Bend | Locknuts | Bushing | Insulating Bushing | Insulated Grounding Bushing | Coupling | Reducer | Union Coupling | Entrance Cap | Pipe Straps (Two Holes) | Pipe Straps (One Hole) | C-channel | Channel Cap | Pipe Clamp | Multi U-Clamp | Multi-clamp | PPC | PBC | PNC | PFC | TTP | TPB | TPB-F | TPF | TPF-PG
- 20 **Surface Boxes for Rigid Metal Conduit** 박스 및 커버
Surface Switch Outlet Box | Surface Outlet Box | Surface Switch Outlet Box -Bolt Type | Surface Switch Outlet Box | Circular Surface Box | Octagonal Flat Cover | Octagonal Flat cover 2 Hole | Octagonal Flat Cover for 16mm & 22mm | Square Flat Cover | Square Flat Cover 2 Hole | Concave Switch Cover | Concave Outlet Cover
- 25 **Pull Box** 풀박스
Pull Box - Steel, ABS, Stainless Steel, Hot Dip Galvanized
- 26 **Surface Box Fittings** 박스부속류
Light box Stiffening Plate | Single Switch Box Fixing Device
- 27 **Raceway & Fittings** 레이스웨이 및 부속
Raceway Body | Raceway Cover | Joiner | A Hanger | A Hanger-Nut Type | C Hanger | Horizontal Elbow | Vertical Elbow-IN | Horizontal Tee | Vertical Elbow-Out | Horizontal Cross | SUS Bend | Lighting Fixture Connector- ZINC | Lighting Fixture Connector- ABS
- 29 **Other Fittings** 그 외 부속
Film Bend | Lighting Rod -Y Type | Ground Rod Connector | Lightning Conductor Support

Company History

- 2022** **Factory move to Cheongbuk, Pyeongtaek** | 공장 신축 이전 (경기도 평택시 청북읍)
- 2017** **Expansion of second factory in Jeonggyoli, Pocheon** | 정교리 제2공장 확장
- 2013** **Established an affiliated research institute through KOITA(Korea Industrial Technology Association)**
| 기업 부설 연구소 설립 (한국산업기술진흥협회),
Converted to Daebong ENG Inc. | (주)대봉이엔지로 법인전환
- 2011** **Office/Storage moved to Jinjeop (424-1Janghyeon-ri, Jinjeop-eup, Namyangju-si, Gyeonggi-do)**
| 회사 이전 (남양주시 진접읍 장현리 424-1)
- 2007** **Easy connector development and patent registration (Patent No. 10-0764834)**
| 이지콘넥터 개발 및 특허등록 (특허 제10-0764834호)
- 2006** **Patent registration of Pull box manufacturing method (Patent No. 10-0642244)**
| 풀박스 제조방법 특허 등록 (특허 제10-0642244호)
- 2004** **Manufacturing system fully automated facility construction** | 제조 시스템 전자동화 설비 구축
- 2003** **Regular examination of KS and additional acquisition of KSC 8460**
| KS 정기심사 및 KSC 8460 종목 추가획득
- 2002** **Established Daebong Inc. (Sales Corporation)** | (주)대봉 판매법인 설립
- 2000** **Completion of a comprehensive logistics warehouse located in Byeolnae-myeon, Namyangju-si** | 남양주시 별내면 소재 종합 물류창고 완공
- 1997** **Acquired KS A/ISO 9002 Quality Certifying System Certification**
| KS A/ISO 9002 품질인증시스템 인증 획득
(1) Flexible conduit (KSC 8422) | 금속제 가요 전선관 (KSC 8422)
(2) Flexible conduit accessories (KSC 8459) | 금속제 가요 전선관 부속품 (KSC 8459)
(3) Flexible conduit accessories (KSC 8460) | 금속제 전선관용 부속품 (KSC 8460)
(4) Rigid Metal Conduit accessories (KSC 8461) | 노출 배관용 부속품(전선관용) (KSC 8461)
(5) Surface box (metal box and cover) (KSC 8422) | 매입박스(금속제 박스 및 커버) (KSC 8422)
(6) Hard vinyl boxes and covers (KSC 8426) | 경질 비닐제 박스 및 커버(KSC 8426)
(7) Junction box and exposed waterproof box | 장선박스 및 노출 방수박스 생산 및 부가 서비스
(8) ABS and steel pull box | ABS 및 철재 풀박스 판매 및 부가 서비스
(9) Pipe hangers and accessories | 파이프 행거 및 부속품 판매 및 부가 서비스
(10) Lightning rod and lightning rod | 피뢰침 및 피뢰침 부속품 판매 및 부가 서비스
(11) System box | 시스템 박스 판매 및 부가 서비스
- 1996** **Factory registration** | 공장등록 설립 허가
- 1995** **Established Daebong Electric (Byeolnae-myeon, Namyangju-si, Gyeonggi-do)**
| 대봉종합전기 설립 (남양주 별내)
- 1987** **Changed company name to Jong-Hap Electric** | 종합전기로 상호 변경
- 1981** **Established Yeongnam Trading (manufacture/distribution of electric piping materials in Joogyo-dong, Jung-gu, Seoul)**
| 영남상사 설립 (종목: 전기 배관자재 제조/유통, 서울 중구 주교동)
- 1978** **Established Gyeongnam Electric (Item: Electric material manufacturing in Sanlim-dong, Jung-gu, Seoul)**
| 경남전기 설립 (종목:전기자재 제조업, 서울 중구 산림동)

Certificate No. KTC2016-0109



PRODUCT CERTIFICATE

1. Manufacturer : DABONG ENG Co.,Ltd.
2. President : KIM, JIN MIN
3. Address : 181, Naejin-ro, Noechon-myeon, Pocheon-si, Gyeonggi-do, Republic of Korea

4. Product

- A. Standard Name : Fittings for rigid metal conduits
- B. Standard No : KS C 8450
- C. Types, grades or designation
 - Normal Bend (for Thick Steel Conduit)
 - Bunting (for Thick Steel Conduit)
 - Saddle (for Thick Steel Conduit)
 - Lock Nut (for Thick Steel Conduit)
 - Clamp (for Thick Steel Conduit)
 - Channel (for Thick Steel Conduit), end.

As the result of the certification audit according to Article 17(1) of Industrial Standardization Act conforms to the audit criteria, this is to certify that the conformity to Korean Industrial Standard(KS) in accordance to the Article 15 of Industrial Standardization Act and Article 10(1) of enforcement regulations of Industrial Standardization Act.

Apr. 24, 2019



Korea Testing Certification

1. Initial certification date : Nov. 08, 1997(Certificate No. 97-03-85)
2. Final revision date : Apr. 24, 2019

Certificate No. KTC19-0074



PRODUCT CERTIFICATE

1. Manufacturer : DABONG ENG Co.,Ltd.
2. President : KIM, JIN MIN
3. Address : 181, Naejin-ro, Noechon-myeon, Pocheon-si, Gyeonggi-do, Republic of Korea

4. Product

- A. Standard Name : Raceway
- B. Standard No : KS C 8455
- C. Types, grades or designation
 - , end.

As the result of the certification audit according to Article 17(1) of Industrial Standardization Act conforms to the audit criteria, this is to certify that the conformity to Korean Industrial Standard(KS) in accordance to the Article 15 of Industrial Standardization Act and Article 10(1) of enforcement regulations of Industrial Standardization Act.

May 01, 2019



Korea Testing Certification

1. Initial certification date : Feb. 04, 2018(Certificate No. 18-0074)
2. Final revision date : May 01, 2019

Certificate No. KTC2016-0108



PRODUCT CERTIFICATE

1. Manufacturer : DABONG ENG Co.,Ltd.
2. President : KIM, JIN MIN
3. Address : 181, Naejin-ro, Noechon-myeon, Pocheon-si, Gyeonggi-do, Republic of Korea

4. Product

- A. Standard Name : FITTINGS FOR FLEXIBLE METAL CONDUITS
- B. Standard No : KS C 8459
- C. Types, grades or designation
 - Straight Box Connector : Class 1 Flexible Conduit
 - Straight Box Connector : Plastic Coated Class 1 Flexible Conduit, end.

As the result of the certification audit according to Article 17(1) of Industrial Standardization Act conforms to the audit criteria, this is to certify that the conformity to Korean Industrial Standard(KS) in accordance to the Article 15 of Industrial Standardization Act and Article 10(1) of enforcement regulations of Industrial Standardization Act.

Apr. 24, 2019



Korea Testing Certification

1. Initial certification date : Nov. 08, 1997(Certificate No. 97-03-84)
2. Final revision date : Apr. 24, 2019

Certificate No. KTC19-0073



PRODUCT CERTIFICATE

1. Manufacturer : DABONG ENG Co.,Ltd.
2. President : KIM, JIN MIN
3. Address : 181, Naejin-ro, Noechon-myeon, Pocheon-si, Gyeonggi-do, Republic of Korea

4. Product

- A. Standard Name : Cable tray
- B. Standard No : KS C 8454
- C. Types, grades or designation
 - Ladder Type
 - Solid Bottom Type, end.

As the result of the certification audit according to Article 17(1) of Industrial Standardization Act conforms to the audit criteria, this is to certify that the conformity to Korean Industrial Standard(KS) in accordance to the Article 15 of Industrial Standardization Act and Article 10(1) of enforcement regulations of Industrial Standardization Act.

May 01, 2019



Korea Testing Certification

1. Initial certification date : Feb. 04, 2018(Certificate No. 18-0073)
2. Final revision date : May 01, 2019

Certificate No. KTC2016-0110



PRODUCT CERTIFICATE

1. Manufacturer : DABONG ENG Co.,Ltd.
2. President : KIM, JIN MIN
3. Address : 181, Naejin-ro, Noechon-myeon, Pocheon-si, Gyeonggi-do, Republic of Korea

4. Product

- A. Standard Name : SURFACE ACCESSORY FOR RIGID METAL CONDUITS
- B. Standard No : KS C 8451
- C. Types, grades or designation
 - Surface Switch Outlet Box (for Thick Steel Conduit)
 - Circular Surface Box (for Thick Steel Conduit), end.

As the result of the certification audit according to Article 17(1) of Industrial Standardization Act conforms to the audit criteria, this is to certify that the conformity to Korean Industrial Standard(KS) in accordance to the Article 15 of Industrial Standardization Act and Article 10(1) of enforcement regulations of Industrial Standardization Act.

Apr. 24, 2019



Korea Testing Certification

1. Initial certification date : Nov. 08, 1997(Certificate No. 97-03-80)
2. Final revision date : Apr. 24, 2019

Certificate No. KTC2016-0107



PRODUCT CERTIFICATE

1. Manufacturer : DABONG ENG Co.,Ltd.
2. President : KIM, JIN MIN
3. Address : 181, Naejin-ro, Noechon-myeon, Pocheon-si, Gyeonggi-do, Republic of Korea

4. Product

- A. Standard Name : BOX AND BOX COVER FOR RIGID METAL CONDUITS
- B. Standard No : KS C 8458
- C. Types, grades or designation
 - Full Box
 - Box Cover, end.

As the result of the certification audit according to Article 17(1) of Industrial Standardization Act conforms to the audit criteria, this is to certify that the conformity to Korean Industrial Standard(KS) in accordance to the Article 15 of Industrial Standardization Act and Article 10(1) of enforcement regulations of Industrial Standardization Act.

Apr. 24, 2019



Korea Testing Certification

1. Initial certification date : Feb. 04, 2018(Certificate No. 18-0107)
2. Final revision date : Apr. 24, 2019

CERTIFICATE OF PATENT

Patent Number : 10-0764834

Application Number : 10-2007-0042166

Filing Date : 2007. 04. 30.

Registration Date : 2007. 10. 01.

Title of the Invention
a connecting apparatus for a flexible pipe

Inventor
DABONG(115211-*****)
T1, Janghyuncheon-ro 180on-gil, Jijong-eup, Namyangju-si, Gyeonggi-do, Republic of Korea

Applicant
KIM Jin Min
153-7, Naejin-ro, Noechon-myeon, Namyangju-si, Gyeonggi-do, Republic of Korea

This is to certify that, in accordance with the Patent Act, a patent for the invention has been registered at the Korean Intellectual Property Office.

2020. 05. 25.



특허청
Korean Intellectual Property Office

COMMISSIONER,
KOREAN INTELLECTUAL PROPERTY OFFICE

박원주



Check your current registration with QR code

CERTIFICATE OF PATENT

Patent Number : 10-0642244

Application Number : 10-2005-0076043

Filing Date : 2005. 08. 19.

Registration Date : 2006. 10. 27.

Title of the Invention
Jokri Box Manufacturing Method

Inventor
KIM Jin Min(107082-*****)
153-7, Naejin-ro, Noechon-myeon, Namyangju-si, Gyeonggi-do, Republic of Korea

Applicant
Inventors are filed out in a registration page.

This is to certify that, in accordance with the Patent Act, a patent for the invention has been registered at the Korean Intellectual Property Office.

2020. 05. 25.



특허청
Korean Intellectual Property Office

COMMISSIONER,
KOREAN INTELLECTUAL PROPERTY OFFICE

박원주



Check your current registration with QR code

CERTIFICATE OF PATENT

Patent Number : 10-0829510

Application Number : 10-2007-0189348

Filing Date : 2007. 12. 27.

Registration Date : 2008. 05. 07.

Title of the Invention
The waterproofing and the connection apparatus of the slender member combined use flexible pipe

Inventor
DABONG(115211-*****)
T1, Janghyuncheon-ro 180on-gil, Jijong-eup, Namyangju-si, Gyeonggi-do, Republic of Korea

Applicant
KIM Jin Min
153-7, Naejin-ro, Noechon-myeon, Namyangju-si, Gyeonggi-do, Republic of Korea

This is to certify that, in accordance with the Patent Act, a patent for the invention has been registered at the Korean Intellectual Property Office.

2020. 05. 25.



특허청
Korean Intellectual Property Office

COMMISSIONER,
KOREAN INTELLECTUAL PROPERTY OFFICE

박원주



Check your current registration with QR code

Product Overview

! PLEASE COVER NEARBY QR CODES WHEN SCANNING FOR EASIER READ

PAGE 8 →



PAGE 12 →



























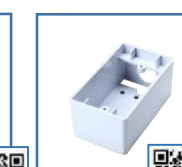






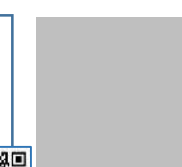






PAGE 14 →



Product Overview

! PLEASE COVER NEARBY QR CODES WHEN SCANNING FOR EASIER READ

PAGE 21 →

 B01	 B02	 B03	 B04	 B05	 B06	 B07
 B08	 B09	 B10	 B11	 B12	 B13	 B14
 B41	 B42	 B43	 B44	 B45	 NEW B46	 NEW B47
 NEW B48	 B15	 B16	 B17	 B18	 B19	 B39
 B40	 B20	 B21	 B22	 B23	 B24	
 B25	 B26	 B27	 B28	 B38	 B29	 B30

PAGE 26 →

 B31	 B32	 B33	 B34
---	--	--	--

PAGE 27 →

 B35	 B36	 B37
--	---	--

PAGE 28 →

 R01	 R02	 R03	 R04	 R05	 R06	 R07
---	--	--	--	--	---	--

Product Overview

! PLEASE COVER NEARBY QR CODES
WHEN SCANNING FOR EASIER READ



R08



R09



R10



R11



R12



R13



R14



L04-L07



L01



L02



L03



L08



L09



Flexible Conduits & Fittings



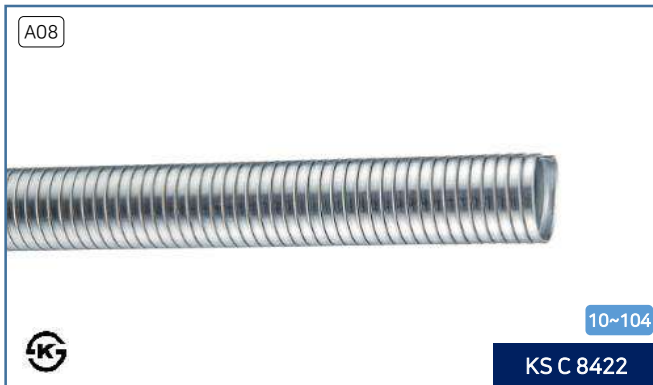
Flexible Conduit -GW Type [GW쥬브]

Spec	Inner Dia.	Outer Dia	Length of Roll	Related Conduit		Weight (Kg)
				IMC	RMC	
10	10.0	15.0	50	-	-	7.5
12	12.3	17.7	50	-	-	9
16	15.8	21.1	50	19	16	11
22	20.8	26.4	50	25	22	15
28	26.4	33.2	50	31	28	19
36	35.0	42.0	30	39	36	16
42	40.0	47.7	30	51	42	19
54	51.3	59.7	20	63	54	17
70	63.0	72.3	20	75	70	24
82	78.0	88.7	10	-	82	15
104	101.6	113.8	10	-	104	19



Flexible Conduit - SW Type [SW쥬브]

Spec	Inner Dia.	Outer Dia	Length of Roll	Related Conduit		Weight (Kg)
				IMC	RMC	
10	10.0	15.0	50	-	-	12
12	12.3	17.7	50	-	-	17
16	15.8	21.1	50	19	16	19
22	20.8	26.4	50	25	22	24
28	26.4	33.2	50	31	28	28
36	35.0	42.0	3.0	39	36	28
42	40.0	47.7	20	51	42	23
54	51.3	59.7	20	63	54	31
70	63.0	72.3	10	75	70	19
82	78.0	88.7	10	-	82	25
104	101.6	113.8	10	-	104	33



Flexible Conduit - SF Type [SF쥬브]

Spec	Inner Dia.	Outer Dia	Length of Roll	Related Conduit		Weight (Kg)
				IMC	RMC	
10	10.0	13.2	100	-	-	8
12	12.3	15.6	50	-	-	10
16	15.8	19.1	50	19	16	12
22	20.8	24.2	50	25	22	16
28	26.4	31.1	50	31	28	20
36	35.0	39.7	30	39	36	19
42	40.0	44.7	20	51	42	14
54	51.3	56.0	20	63	54	18
70	63.0	69.0	20	75	70	12
82	78.0	85.4	10	-	82	16
104	101.6	109.2	10	-	104	20

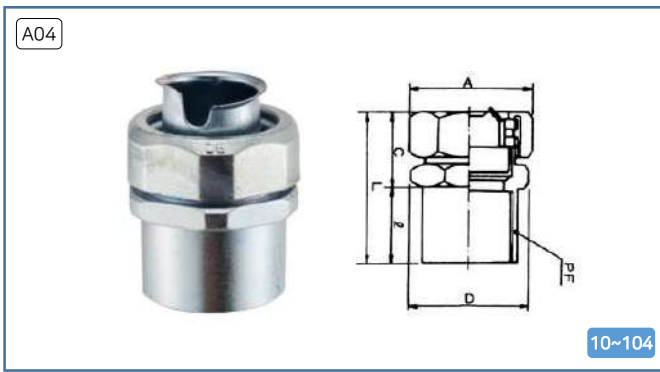


Flexible Conduits & Fittings



Liquid tight Box Connector
[아연방수콘넥터]

Spec	A	C	e	dφ	D	Weight(Kg)
10	25	18	12	14	26	0.052
12	28	19	13	15	27	0.045
16	33	19	13	16	31	0.053
22	38	20	15	21	36	0.072
28	45	21	15	27	43	0.110
36	54	25	17	35	52	0.170
42	60	25	20	40	56	0.267
54	72	27	20	51	70	0.329
70	89	45	23	64	87	0.501
82	106	52	25	79	102	1.014
104	135	69	29	103	130	1.389



Liquid tight Pipe Connector
[아연방수콘-파이프용]

Spec	A	C	e	L	D	Weight(Kg)
10	25	18	12	35	26	0
12	28	19	13	36	27	0
16	33	19	13	36	31	0.062
22	38	20	15	40	36	0.098
28	45	21	15	41	43	0.135
36	54	25	17	45	52	0.195
42	60	25	20	51	58	0.264
54	72	27	20	53	70	0.361
70	89	45	23	58	87	0.575
82	106	52	25	69	102	0.824
104	135	69	29	92	130	1.327



Flexible to Flexible Coupling (FFC)
[FFC 커플링]

Spec	φD	B	B1	L	A	E	F	G	Weight(Kg)
16	21	13	6	47	M26x1.5	34.6	30	6	0.084
22	26.5	15	8	58.8	M32x1.5	41.6	36	6	0.142
28	33.3	18	10	69.5	M40x1.5	53.1	46	6	0.171
36	41.9	21	10	74.9	M48x1.5	52	52	8	0.278
42	47.8	25	10	92	M55x1.5	65	65	8	0.361
54	60.8	20	10	62.3	M68x1.5	76.4	72.5	8	0.428



Liquid tight 45° Angle Connector
[아연방수콘-45도]



Liquid tight 90° Angle Connector
[아연방수콘-90도]

Flexible Conduits & Fittings



Squeeze Connector for SF Type Flexible Conduit
[SF콘넥터]

3 different size that connects to 16mm, 22mm, 28mm flexible conduit are available.



Squeeze Connector - SF Washer Type
[SF콘 와샤형]



Squeeze Connector - One touch type
[SF콘 원터치형]

Apply on BOTH 16mm & 22mm Knock Out

One Click Easy Apply!

Product Code	Spec	Weight (Kg)
A10	16 (common use for 22mm knock out)	0.022
A11	16	0.010



CONNECTOR PARTS CAN BE SOLD SEPARATELY

Insert - Right, Left Type
[인서트-좌,우]

Locknuts
[로그너트]

Packing
[박킹]

PVC Cap
[PVC캡]

© 2022 Daebong Eng. All Rights Reserved.

10

Flexible Conduits & Fittings



SF Type Non-Waterproof Connector - ABS EZ One Touch type
[원터치SF콘넥터ABS]



Multi-Coupling
(for CD Pipe to Flexible, Flexible to Flexible)
[이중멀티커플링]



PVC Waterproof Connector - Direct Insert Type
[PVC 방수콘넥터 직접삽입방식]



PVC Waterproof Connector - Insert Type
[PVC 방수콘넥터 인서트 타입]



Brass Liquid tight Connector - for Box
[황동방수콘- 박스용]



Brass Liquid tight Connector - for Pipe
[황동방수콘- 파이프용]



Brass Liquid tight 45° Angle Connector
[황동방수콘- 파이프용45도]



Brass Liquid tight 90° Angle Connector
[황동방수콘- 파이프용90도]



Easy Connectors



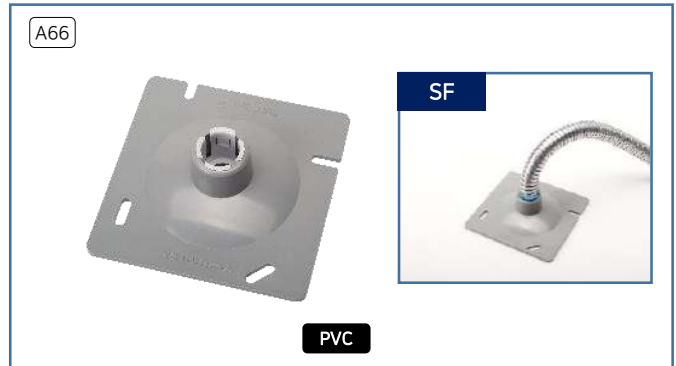
Easy Box Connector
Steel Octangular
[이지콘넥터 스틸 8각]



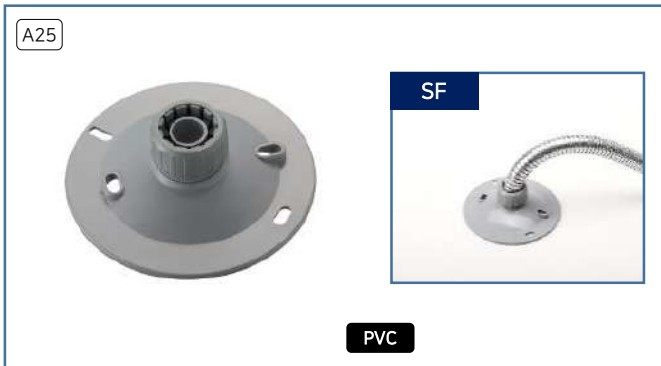
Easy Box Connector
Steel Square
[이지콘넥터 스틸 4각]



Easy Box Connector
ABS Octangular
[이지콘넥터 ABS 8각]



Easy Box Connector
ABS Square
[이지콘넥터 ABS 4각]



Easy Box Connector
SF Type Octangular
[이지콘넥터 8각 SF용]



Easy Box Connector
SF Type Square
[이지콘넥터 4각 SF용]



Easy Box Connector
GW Type Octangular
[이지콘넥터 8각 GW용]



Easy Box Connector
GW Type Square
[이지콘넥터 4각 GW용]



Installation Method of Easy Box Connector



① Insert the SF Flexible after installing of inner connector.



② Press down the SF Flexible.



※ Press down on the Insert when disassembly.



※ Hold the Insert and the Flexible turning to loosen.

Customized Easy Connector Products (Length of flexible can be adjusted)



SF One Touch + SF Flexible + Easy Box Connector (SF Type Octangular)



A11



A08



A23



SF Connector + SF Flexible + Easy Box Connector (ST Square)



A09



A08



A24



Box Connector + GW Flexible + Easy Box Connector (GW Type Octangular)



A04



A01



A27



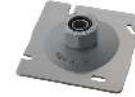
PVC Waterproof Connector + GW Flexible + Easy Box Connector (GW Type Square)



A18



A01



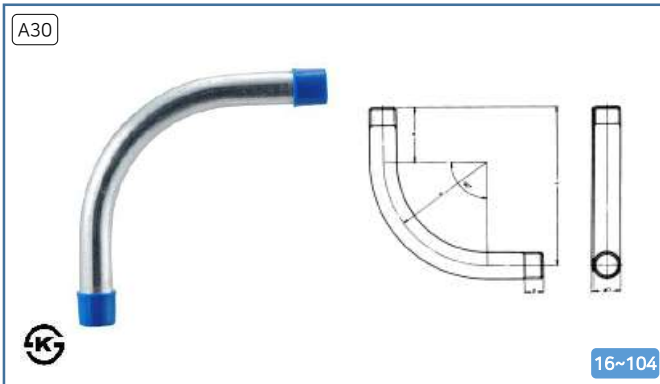
A28

Rigid Steel Conduits & Fittings



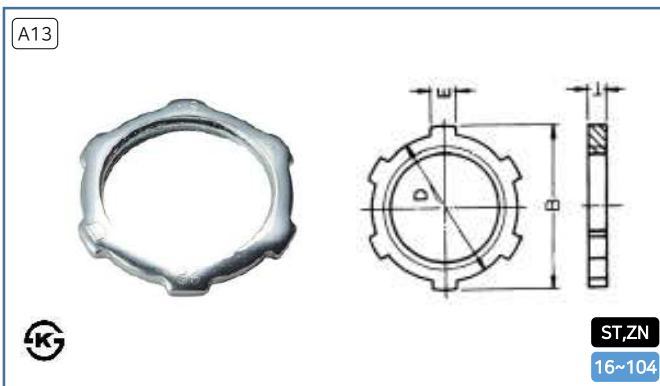
Steel Pipe
[스틸파이프]

Spec	Outer Dia.	Outer Dia Tolerance	Thickness	In. Dia	Thread Length		Weight (Kg)
					Max	Min	
16	21.0	±0.3	2.3	16.4	19	16	1.06
22	26.5	±0.3	2.3	21.9	22	19	1.37
28	33.3	±0.3	2.5	28.3	25	22	1.90
36	41.9	±0.3	2.5	36.9	28	25	2.43
42	47.8	±0.3	2.5	42.8	28	25	2.79
54	59.6	±0.3	2.8	54.0	32	28	3.92
70	75.2	±0.3	2.8	69.6	36	32	5.00
82	87.9	±0.3	2.8	82.3	40	36	5.88
104	113.4	±0.4	3.5	106.4	45	39	9.48



Normal Bend
[노말밴드]

Spec	D		R	a	L	Weight (Kg)
	Max	Min				
16	19	16	90	60	150	0.279
22	22	19	110	70	180	0.432
28	25	22	140	75	215	0.634
36	28	25	170	80	250	1.017
42	28	25	210	85	295	1.363
54	32	28	235	110	345	2.214
70	36	32	275	150	425	3.296
82	40	36	310	200	510	4.995
104	45	39	395	250	645	11.485



Locknuts
[로그너트]

Spec	B	D	E	T	Weight (Kg)
16	29	26	9	3.2	0.005
22	36	33	7	3.2	0.009
28	44	41	8	4.5	0.014
36	53	49	10	4.5	0.018
42	61	57	7	4.5	0.027
54	74	70	7	5.0	0.036
70	93	88	7	5.0	0.050
82	106	101	8	5.0	0.060
104	135	129	8	5.0	0.094



Coupling
[커플링]

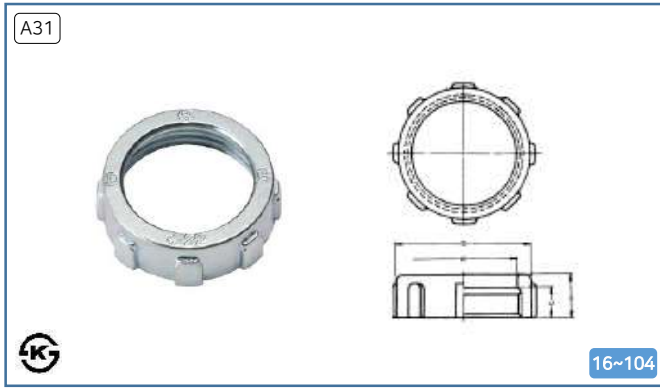


Reducer
[레듀서]



Union Coupling
[유니온커플링]

Rigid Steel Conduits & Fittings



Bushing
[부싱]

Spec	D	d	C	H	Weight (Kg)
16	24	16	6.5	9	0.010
22	30	22	7	10	0.013
28	37	28	9	12	0.023
36	46	36	9	13	0.037
42	52	42	10.5	15	0.042
54	65	53	11	16	0.067
70	81	68	12	18	0.130
82	95	81	13	20	0.180
104	125	105	15	24	0.428



Insulating Bushing
[절연부싱]



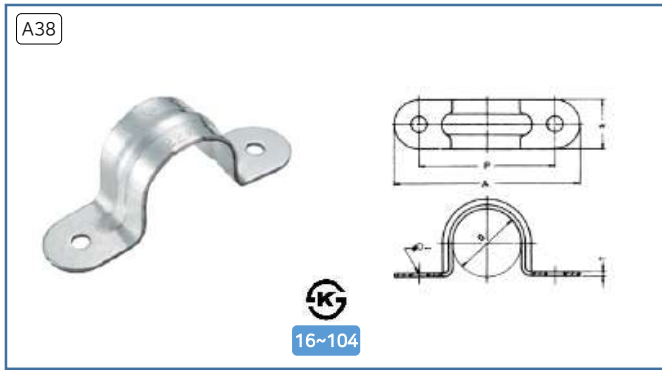
Insulated Grounding Bushing
[접지절연부싱]



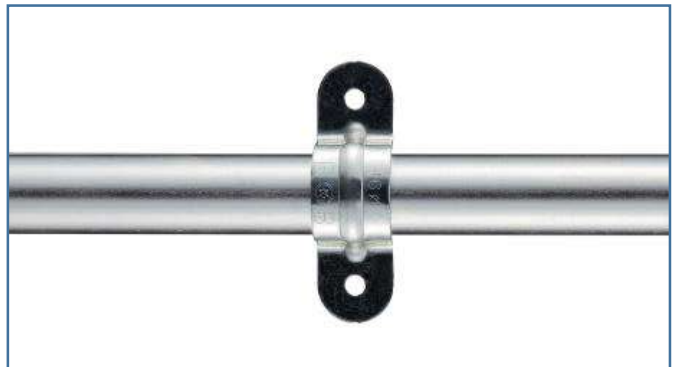
Entrance Cap
[위샤캡]

Spec	A	B	C	D	Weight (Kg)
16	72	49	58	8	0.065
22	84	53	63	9	0.126
28	102	63	70	13	0.109
36	112	67	75	14	0.287
42	112	79	85	15	0.259
54	148	95	102	23	0.468
70	195	132	145	30	0.971
82	220	132	150	30	1.031
104	240	166	220	44	1.919

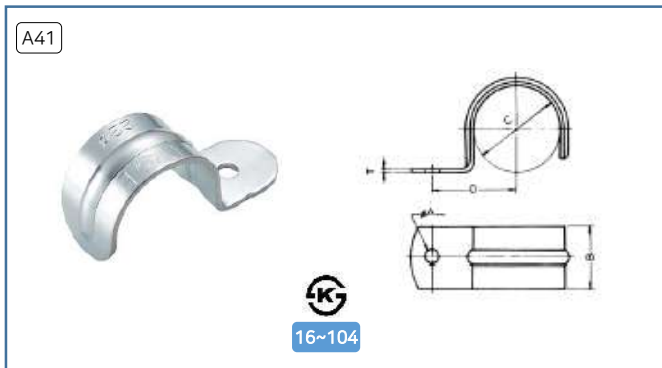
Rigid Steel Conduits & Fittings



Spec	P	A	W	D	d	Weight(Kg)
16	45	65	20	5	21.5	0.019
22	55	75	20	5	27.0	0.022
28	65	90	25	5.5	33.5	0.036
36	75	100	25	5.5	42.0	0.044
42	85	110	25	5.5	48.0	0.048
54	100	125	25	5.5	60.0	0.056
70	120	150	30	6.5	75.5	0.088
82	135	165	35	6.5	88.5	0.117
104	170	200	35	6.5	115.0	0.144



Pipe Straps (Two Hole)
[새들]



Spec	A	B	C	D	Weight(Kg)
16	5	50	21.5	22.5	0.019
22	5	50	27	27.5	0.022
28	5.5	52	33.5	32.5	0.040
36	5.5	52	42	37.5	0.053
42	5.5	52	48	42.5	0.075
54	5.5	52	60	50	0.085



Pipe Straps (One Hole)
[반새들]

Rigid Steel Conduits & Fittings



A44		Spec	Length (cm)	Material	Weight (Kg)
	1	41 x 41 x 1.8T	3000	HDG	5.621
	2	41 x 41 x 1.8T	3000	HDG with Punched Hole	5.050
	3	41 x 41 x 1.9T	3000	PosMAC	5.933
	4	41 x 41 x 2.0T	3000	SUS	6.245
	5	41 x 25 x 2.2T	3000	HDG	5.496
	6	41 x 25 x 1.45T	1200A	GI	1.421
	7	41 x 25 x 0.95T	1200B	GI	0.931
	8	41 x 25 x 1.45T	1000	SUS	1.196

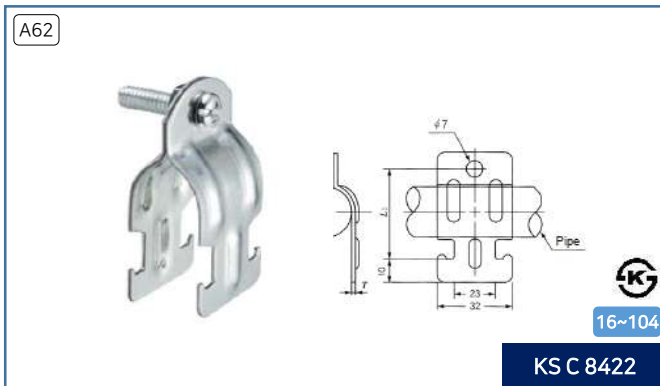
C-Channel
[C찬널]



Channel Cap 41*41
[찬널캡 41*41]



Channel Cap 41*25
[찬널캡 41*25]



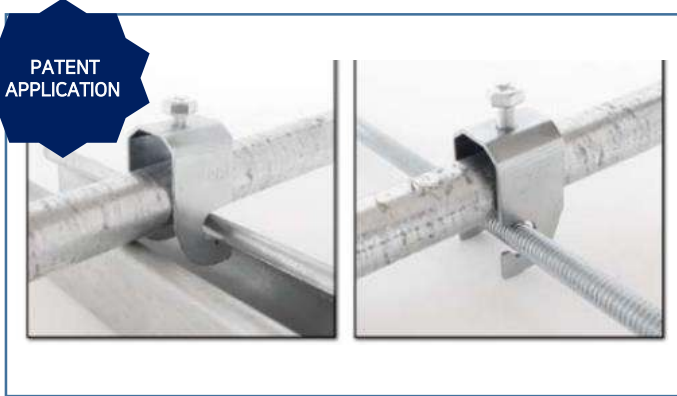
KSC 8422

Spec	L	T	Weight(kg)
16	56	1.6	0.035
22	62	1.6	0.041
28	69	1.6	0.048
36	77	1.6	0.058
42	83	1.6	0.064
54	95	1.6	0.070
70	110	2.3	0.095
82	123	2.3	0.099
104	149	2.3	0.131



Pipe Clamp
[파이프클램프]

Rigid Steel Conduits & Fittings



Spec	A	B	C	D	T
16	21.5	14	25	47	1.2
22	27	14	25	52	1.2
28	33.5	16	25	60	1.2
36	42	25	25	66	1.2
42	48	31	25	74	1.2
54	60	43	25	88	1.2

Multi U-Clamp
[멀티U크램프]



Spec	Weight(Kg)
16	0.044
22	0.047
28	0.058
36	0.078
42	0.086
54	0.120



Multiclamp
[멀티크램프]

Rigid Steel Conduits & Fittings



Spec	∅D	B	B1	L	A	E	F	G	Weight(Kg)
16	21	13	6	47	M26x1.5	34.6	30	6	0.084
22	26.5	15	8	58.8	M32x1.5	41.6	36	6	0.142
28	33.3	18	10	69.5	M40x1.5	53.1	46	6	0.171
36	41.9	21	10	74.9	M48x1.5	52	52	8	0.278
42	47.8	25	10	92	M55x1.5	65	65	8	0.361
54	60.8	20	10	62.3	M68x1.5	76.4	72.5	8	0.428

Pipe to Pipe Connector
[PPC]



Pipe to Pipe Connector
[PPC]



Pipe to Box Connector
[PBC]



Pipe to Normal Bend Coupling
[PNC]



Pipe to Flexible Connector
[PFC]

Rigid Steel Conduits & Fittings



Threadless Pipe to Pipe Connector
[TPP]



Threadless Pipe to Box Connector
[TPB]



Threadless Pipe to Box Connector-Female Type
[TPB-F]



Threadless Pipe to Flexible Connector
[TPF]

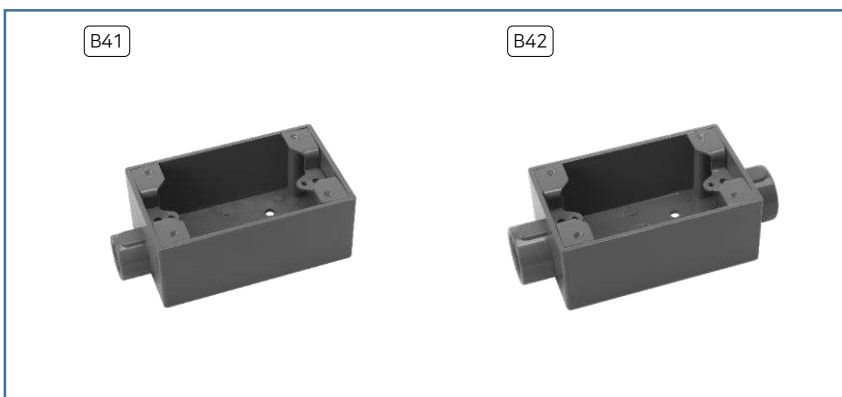
Surface Boxes for Rigid Metal Conduit



KS C 8461

Surface Switch Outlet Box
[노출스위치박스]

Product Code	Spec.	Application	Weight(Kg)	Product Code	Spec.	Application	Weight(Kg)
B01	16*1 22*1 28*1	For Single Switch Box : One Way	0.261 0.269 -	B04	16*2*1 22*2*1 28*2*1	For Double Switch Box : One Way	0.374 0.379 -
B02	16*2 (I) 22*2 (I) 28*2 (I)	For Single Switch Box : Two Way Straight	0.267 0.276 -	B05	16*2*2 (I) 22*2*2 (I) 28*2*2 (I)	For Double Switch Box : Two Way Straight	0.385 0.396 -
B03	16*2 22*2 28*2	For Single Switch Box : Two Way One Side	0.265 0.293 -	B06	16*2 22*2	For Double Switch Box : One Way	-



Product Code	Spec.	Application
B41	16*1 22*1	For Single Switch and Outlet Box : One Way
B42	16*2(I) 22*2(I)	For Single Switch and Outlet Box : Two Way Straight

Surface Switch Outlet (Combined Use) Box
[노출스위치 콘센트 겸용 박스]

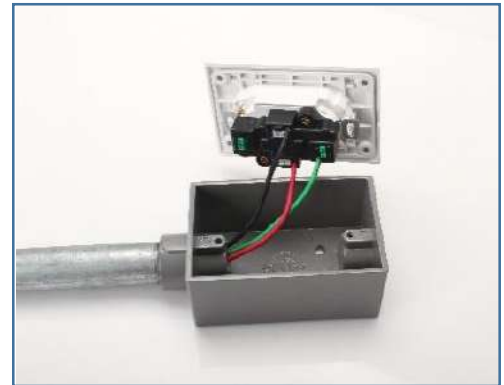
Surface Boxes for Rigid Metal Conduit



KS C 8461

Surface Outlet Box
[노출콘센트박스]

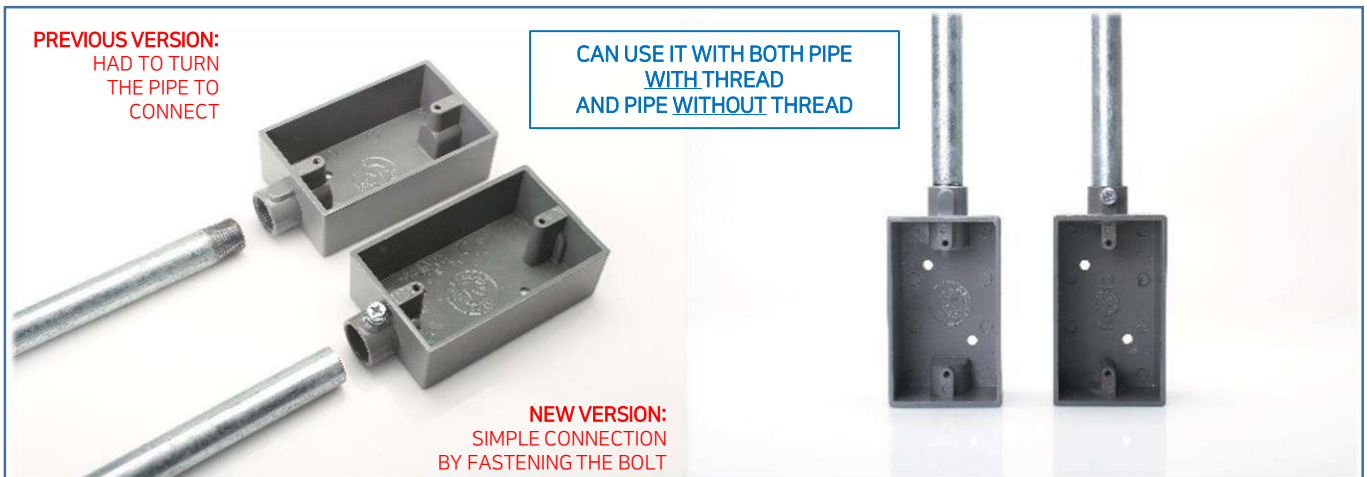
Product Code	Spec.	Application	Weight(Kg)
B07	16*1	For Single Outlet Box : One Way	0.261
	22*1		0.269
	28*1		-
B08	16*2 (I)	For Single Outlet Box : Two Way Straight	0.267
	22*2 (I)		0.276
	28*2 (I)		-
B09	16*2	For Single Outlet Box : Two Way One Side	0.265
	22*2		0.293
	28*2		-
B10	16*2*1	For Double Outlet Box : One Way	0.374
	22*2*1		0.379
	28*2*1		-
B11	16*2*2 (I)	For Double Outlet Box : Two Way One Straight	0.385
	22*2*2 (I)		0.396
	28*2*2 (I)		-



ONLY IN DAEBONG!

Product Code	Spec.	Application
B12	16*2 22*2	For Double Outlet Box : One Way
B13	16*1 22*1	For Single Switch Box Bolt Type : One Way
B14	16*1 22*1	For Single Switch Box Bolt Type : One Way

Surface Switch Outlet Box -Bolt Type
[노출스위치박스 볼트형 - 스위치, 콘센트]



PREVIOUS VERSION:
HAD TO TURN
THE PIPE TO
CONNECT

**CAN USE IT WITH BOTH PIPE
WITH THREAD
AND PIPE WITHOUT THREAD**

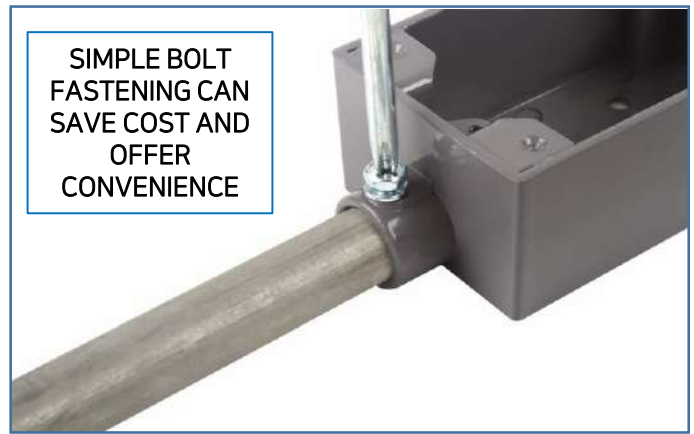
NEW VERSION:
SIMPLE CONNECTION
BY FASTENING THE BOLT

Surface Boxes for Rigid Metal Conduit



Surface Outlet Box - Bolt Type for Thick Wall Steel Conduit
[노출콘센트박스 - 후강볼트용]

Thick Wall Steel Conduit		
Specification	G16	G22
Outer Diameter (mm)	21	26.5
Inner Diameter(mm)	16.4	23.0
Thickness (mm)	2.3	2.3
Product Code	Spec.	Application
B43	16*1 22*1	For Single Outlet Box : One Way
B44	16*2 (I) 22*2 (I)	For Single Outlet Box : Two Way Straight
B45	16*2 22*2	For Single Outlet Box : Two Way One Side



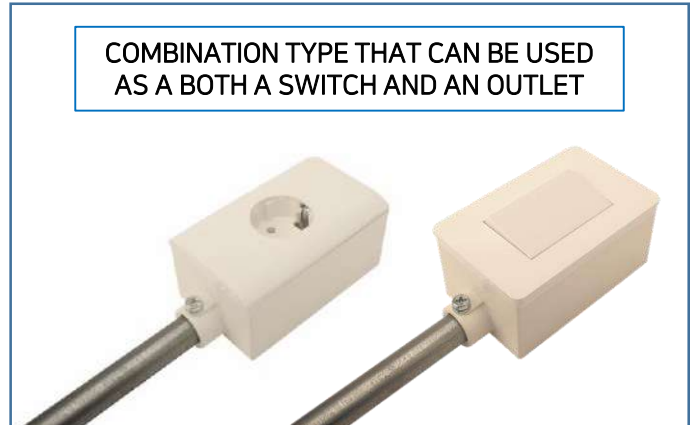
SIMPLE BOLT FASTENING CAN SAVE COST AND OFFER CONVENIENCE



NEW

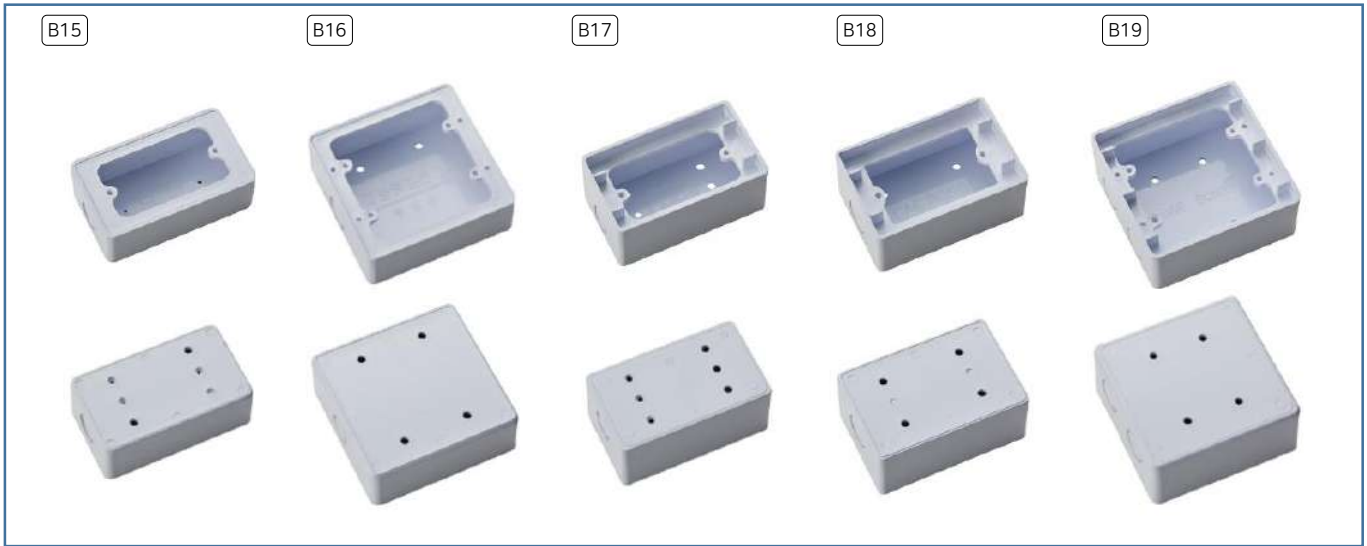
Surface Outlet Box - Bolt Type for Think Wall Steel Conduit
[노출스위치박스 - 박강볼트형]

Thin Wall Steel Conduit		
Specification	E19	E25
Outer Diameter (mm)	19.1	25.4
Inner Diameter(mm)	16.7	21.9
Thickness (mm)	1.2	1.2
Product Code	Spec.	Application
B46	19*1 25*1	For Single Outlet Box : One Way
B47	19*2 (I) 25*2 (I)	For Single Outlet Box : Two Way Straight
B48	19*2 25*2	For Single Outlet Box : Two Way One Side



COMBINATION TYPE THAT CAN BE USED AS A BOTH A SWITCH AND AN OUTLET

Surface Boxes for Rigid Metal Conduit



Surface Switch / Outlet Box
[노출스위치/콘센트 박스]

Product Code	Specification	Application	Weight
B15	120x70x42	For Single Switch Box	0.90
B16	120x116x42	For Double Switch Box	1.35
B17	120x70x53	For Single Outlet Box	0.95
B18	120x80x53	For Single Outlet Box	1.07
B19	120x116x53	For Double Outlet Box	1.35
B39	120x70x54	For Single Switch/Outlet Box -Standard Type (Combined Use)	-
B40	120x80x54	For Single Switch/Outlet Box -Wide Type (Combined Use)	-



Surface Boxes for Rigid Metal Conduit



K S C 8461

Circular Surface Box
[환형노출박스]

Product Code	Spec.	Application	Weight(Kg)	Product Code	Spec.	Application	Weight(Kg)
B20	16*1	Circular Surface Box : One Way	0.260	B23	16*3 22*3 28*3 36*3	Circular Surface Box : Three Way	0.285 0.342 0.396 -
	22*1		0.276				
	28*1		0.318				
	36*1		-				
B21	16*2 (L)	Circular Surface Box : Two Way L	0.268	B24	16*4 22*4 28*4 36*4	Circular Surface Box : Four Way	0.411 0.371 0.436 -
	22*2 (L)		0.312				
	28*2 (L)		0.371				
	36*2 (L)		-				
B22	16*2 (I)	Circular Surface Box : Two Way Straight	0.278				
	22*2 (I)		0.309				
	28*2 (I)		0.354				



Surface Boxes for Rigid Metal Conduit



B25 - B28,38



B29 - B30



B25

Octagonal Flat Cover
[8각평커버]



B26

Octagonal Flat Cover 2Hole
[8각평커버-2구]



B27

Octagonal Flat Cover 2Hole-for 16mm&22mm
[8각평커버-2구 16,22겸용]

CAN USE IT WITH
OCTAGONAL OUTLET BOX (89mm)
AND DECK PLATE (65mm)



B28

Square Flat Cover
[4각평커버]



B38

Square Flat Cover 2 Hole
[4각평커버-2구]



B29

Concave Switch Cover
[오목스위치커버]



B30

Concave Outlet Cover
[오목콘센트커버]

Pull Box



Spec	Weight(Kg)
150x150x100	0.832
150x150x150	1.063
200x200x100	1.246
200x200x150	1.552
200x200x200	1.865
300x300x100	2.341
300x300x150	2.781
300x300x200	3.206

Pull Box/Steel
[ST 풀박스]



Spec	Weight(Kg)
150x150x100	0.407
200x200x100	0.536
200x200x150	0.777
300x300x150	1.527
300x300x200	1.854

Pull Box/ABS
[ABS 풀박스]



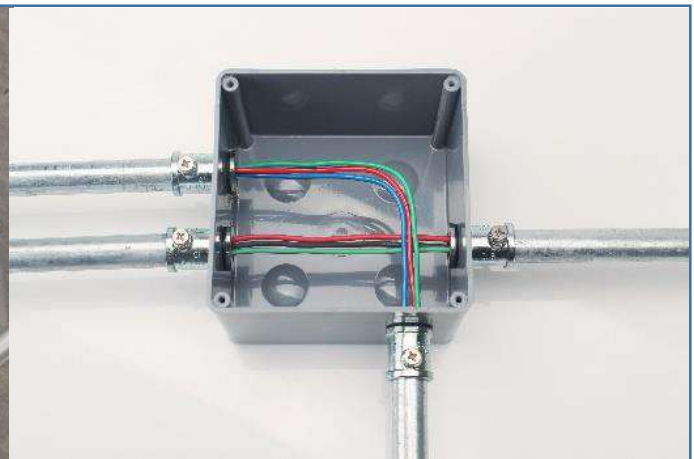
Spec	Weight(Kg)
150x150x100	0.954
150x150x150	1.203
200x200x100	1.419
200x200x150	1.749
200x200x200	2.078
300x300x100	2.596
300x300x150	3.079
300x300x200	3.567

Pull Box/Stainless Steel
[SUS 풀박스]



Spec	Weight(Kg)
CUSTOMIZED ORDER	

Pull Box/Hot Dip
[용융 풀박스]





Rigid Steel Conduit & Fittings

B35



Light Box Stiffening Plate
[경량박스보강판]

B36



Single Switch Box Fixing Device / PVC
[스위치박스 고정장치 1개용/PVC]

B37



Single Switch Box Fixing Device / Steel
[스위치박스 고정장치 1개용/Steel]

Raceway & Fittings



R01



Spec	Weight(Kg)
W40 x H40 (A)	1,200
W70 x H40 (A)	1,470
W110 x H50 (A)	2,000
W40 x H40 Ⓢ	1,800
W70 x H40 Ⓢ	2,200
W110 x H50 Ⓢ	3,300

Raceway Body
[레이스웨이 바디]

R02



Spec	Weight(Kg)
W40 x H40 (A)	0.43
W70 x H40 (A)	0.67
W110 x H50 (A)	0.93
W40 x H40 Ⓢ	0.57
W70 x H40 Ⓢ	0.90
W110 x H50 Ⓢ	1.34

Raceway Cover
[레이스웨이 커버]

R03



Joiner
[조이너]

R04



A Hanger
[A행가]

R05



A Hanger - Nut Type
[A행가 너트형]

R06



C Hanger
[C행가]



R07



Horizontal Elbow
[수평엘보]

R08



Vertical Elbow / IN
[수직엘보 - 인]

R09



Horizontal Tee
[수평티]

R10



Vertical Elbow / OUT
[수직엘보 - 아웃]

R11



Horizontal Cross
[수평크로스]

R12



Lighting Fixture Connector/ ZINC
[기구용금구/아연]

R13



SUS Bend
[서스밴드]

R14



Lighting Fixture Connector / ABS
[기구용금구/ABS]

Other Fittings



External High Pressure

L04



HDG

L05



POSMAC

L06

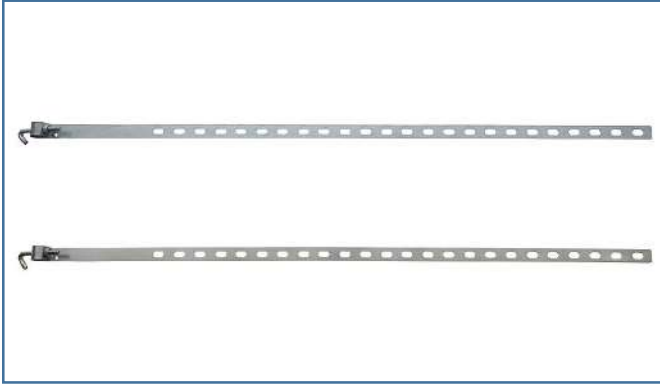


SUS

L07



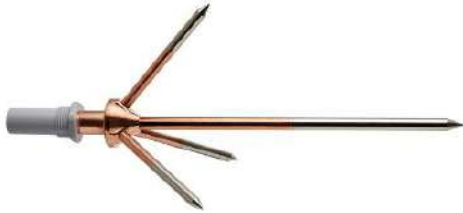
GI



Film Bend
[필름밴드]

Grounding & Lightning Protection

L01



Lightning Rod-Y Type
[Y형 등피뢰침]

L02



Rebar Ground Clamp
[철근접지크램프]

L03



Lightning Conductor Support
[피뢰도선지지대]

L08



Ground Rod
[접지동봉]

L09



Ground Rod Connector
[접지봉콘넥터]



DAEBONG ENG INC.

178-23, Gojan-gil, Cheongbuk-myeon, Pyeongtaek-si, Gyeonggi-do, Republic of Korea

TEL: +82-31-683-0391 FAX: +82-31-683-0392 EMAIL: daebong19@hanmail.net



 KAKAO CH



 NAVER BLOG



 Instagram



 NAVER TV



 kakao tv